

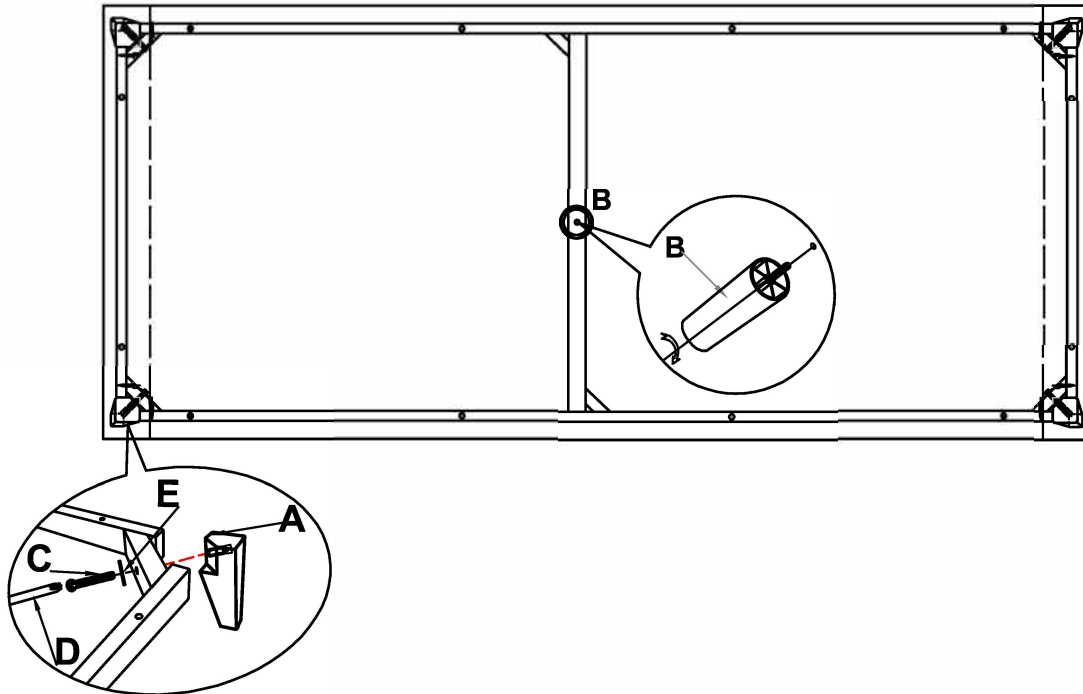
SECTOR - Feet Assembly Instruction






Please read these instructions carefully before starting the assembly process and keep in a safe place for future reference

Caution: The assistance of one or more people is recommended when handling the product in order to avoid personal injury.

Be sure to check all packing materials carefully for small parts that may have come loose inside the carton during shipment. Please also check all parts for any obvious signs of damage that may affect their correct assembly

2.5S



NO.	Name	Parts List	Parts quantity(Unit:Pcs)			
			2.5S	2S	1S	
A	Wood feet	 60mm*60mm*H160mm	4	4	4	
B	Plastic feet	 $\phi 38 * H120MM$	1	1		
C	Screw	 5/16"*2 1/4"	4	4	4	
D	Allen Key	 M5(30*120mm)	1	1	1	
E	Washer	 5/16"*19mm*2mm	4	4	4	

Note:The corner unit version of this product should not be moved after it has been assembled, without first disassembling to it's modular parts