

ASSEMBLY INSTRUCTIONS

MELROSE LOUNGE SUITE



Melrose Lounge Suite Range

ⓘ The components are heavy, assembly should be performed by two people.

Component Lists:

Sofa Feet

| | | | | |
|------------------|------------------|------------------|------------------|------------------|
| | | | | |
| A (x8) | B (x2) | C (x8) | D (x8) | E (x1) |

Sofa Headrests

| | | | | |
|------------------|------------------|------------------|------------------|------------------|
| | | | | |
| F (x6) | G (x6) | H (x6) | I (x6) | J (x1) |

Side Tables

| | | | |
|------------------|------------------|------------------|------------------|
| | | | |
| K (x2) | L (x2) | M (x8) | N (x1) |

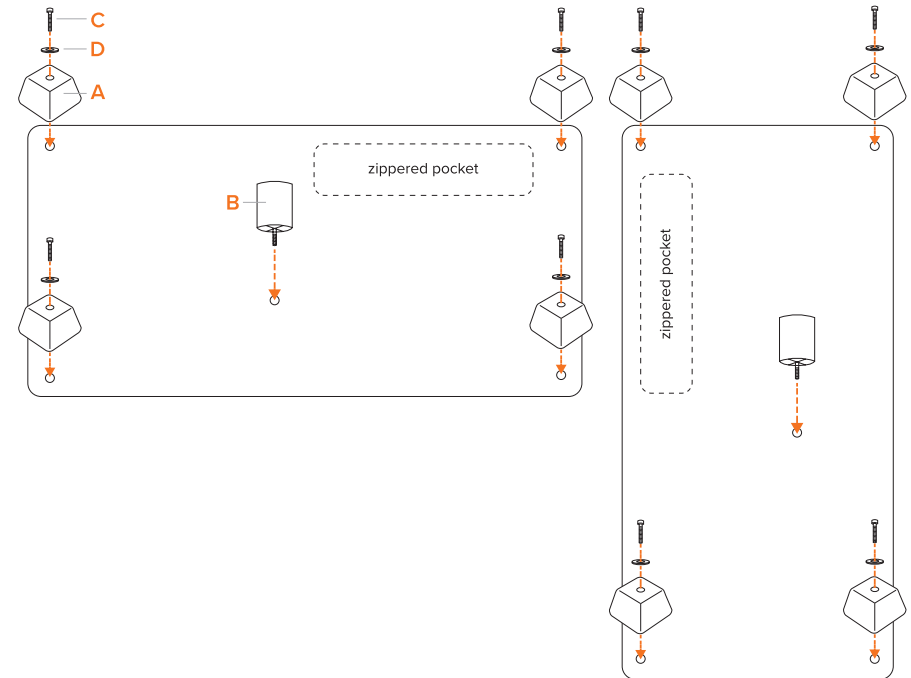
Melrose 2 Seater + Chaise

Step 1

Assemble this product in an open space with room to move. Remove the packaging from the product. Set the headrests aside until Step 2. Underneath the seat bases, there are zippered pockets containing the sofa feet and the side tables. Set the side tables aside until Step 3.

Using the washer (C) and bolt (D), attach feet (A) to the four corners of each seat base. Install the support feet (B) in the center holes.

| | | | | |
|------------------|------------------|------------------|------------------|------------------|
| | | | | |
| A (x8) | B (x2) | C (x8) | D (x8) | E (x1) |

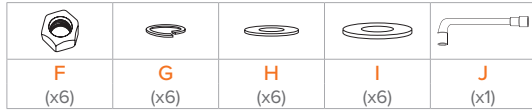


ASSEMBLY INSTRUCTIONS

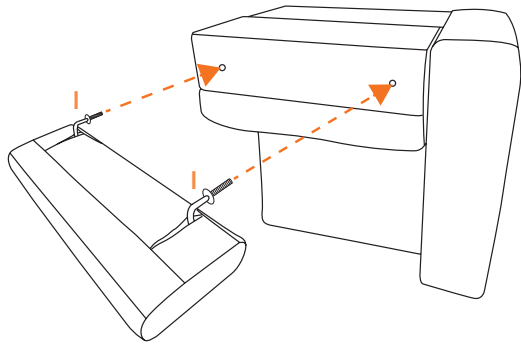
MELROSE LOUNGE SUITE

Step 2

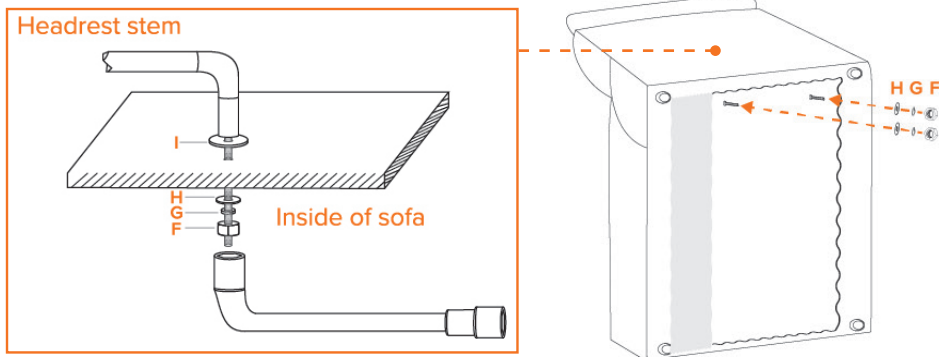
Prepare the headrests to be fixed to the backrests by first removing the hexagon nut (F), spring washer (G) and flat washer (H) - but leaving the arched washer (I) in place.



Carefully tilt each sofa piece forward (using two people where possible) and insert the headrest stems into the holes in the backrest frame per below diagram:

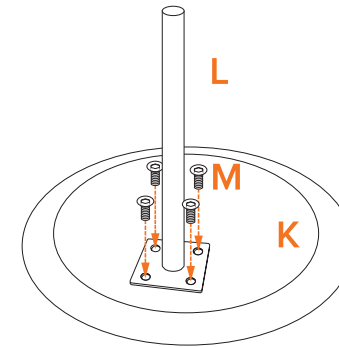
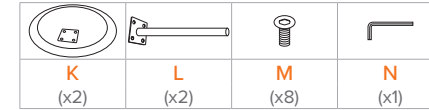


From the underside of the seat base via the zippered compartment, attach the flat washer (H), spring washer (G) and the hexagon nut (F) to the headrest stem and fix firmly using the socket wrench. Close the zipper compartment and return the sofa to an upright position.

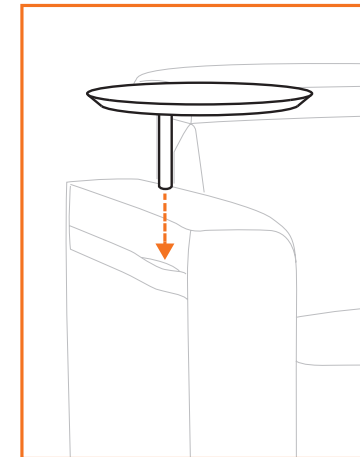


Step 3

On a flat surface, turn the table top (K) upside down and place the table arm (L) into position. Use the allen key to fix the four bolts (M) firmly into place



The end seats of the lounge suite have side arm pockets for the side tables. Insert the table arm into the metal base at the bottom of the side pocket and press firmly into place.



ASSEMBLY INSTRUCTIONS

MELROSE LOUNGE SUITE



Melrose Lounge Suite Range

Component Lists:

Sofa Feet

| | | | | |
|------------------|------------------|------------------|------------------|------------------|
| | | | | |
| A (x4) | B (x1) | C (x4) | D (x4) | E (x1) |

Sofa Headrests

| | | | | |
|------------------|------------------|------------------|------------------|------------------|
| | | | | |
| F (x4) | G (x4) | H (x4) | I (x4) | J (x1) |

Side Tables

| | | | |
|------------------|------------------|------------------|------------------|
| | | | |
| K (x2) | L (x2) | M (x8) | N (x1) |

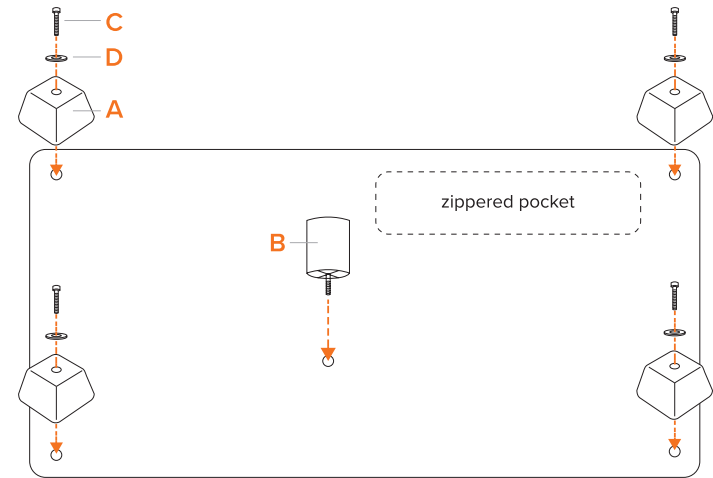
Melrose 2 Seater

Step 1

Assemble this product in an open space with room to move. Remove the packaging from the product. Set the headrests aside until Step 2. Underneath the seat base, there is a zippered pocket containing the sofa feet and the side tables. Set the side tables aside until Step 3.

Using the washer (C) and bolt (D), attach feet (A) to the four corners of the seat base. Install the support foot (B) in the center hole.

| | | | | |
|------------------|------------------|------------------|------------------|------------------|
| | | | | |
| A (x4) | B (x1) | C (x4) | D (x4) | E (x1) |



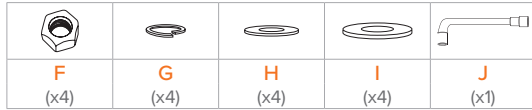
(continued next page)

ASSEMBLY INSTRUCTIONS

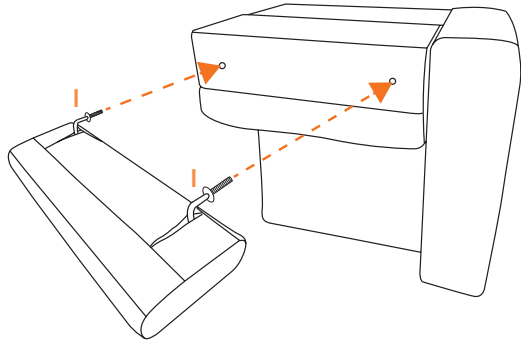
MELROSE LOUNGE SUITE

Step 2

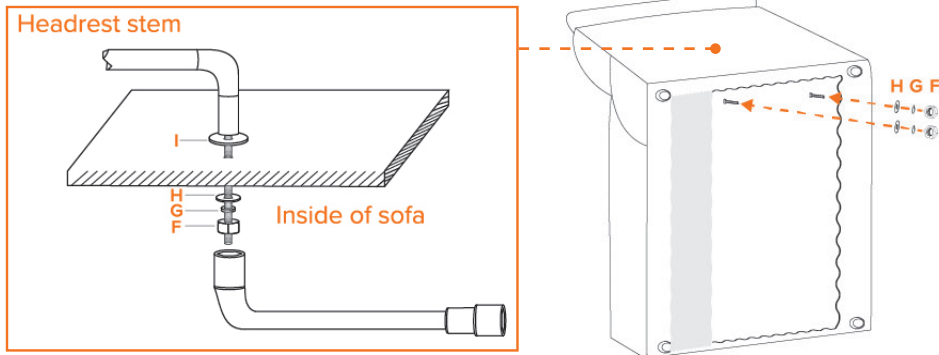
Prepare the headrests to be fixed to the backrests by first removing the hexagon nut (F), spring washer (G) and flat washer (H) - but leaving the arched washer (I) in place.



Carefully tilt each sofa piece forward (using two people where possible) and insert the headrest stems into the holes in the backrest frame per below diagram:

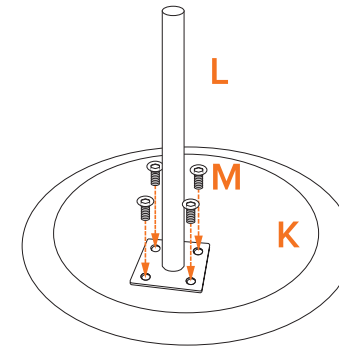


From the underside of the seat base via the zippered compartment, attach the flat washer (H), spring washer (G) and the hexagon nut (F) to the headrest stem and fix firmly using the socket wrench. Close the zipper compartment and return the sofa to an upright position.

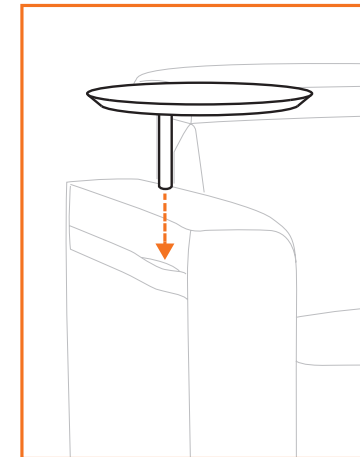


Step 3

On a flat surface, turn the table top (K) upside down and place the table arm (L) into position. Use the allen key to fix the four bolts (M) firmly into place



The end seats of the lounge suite have side arm pockets for the side tables. Insert the table arm into the metal base at the bottom of the side pocket and press firmly into place.



ASSEMBLY INSTRUCTIONS

MELROSE LOUNGE SUITE



Melrose Lounge Suite Range

Component Lists:

Sofa Feet

| | | | |
|------------------|------------------|------------------|------------------|
| | | | |
| A (x4) | C (x4) | D (x4) | E (x1) |

Sofa Headrests

| | | | | |
|------------------|------------------|------------------|------------------|------------------|
| | | | | |
| F (x2) | G (x2) | H (x2) | I (x2) | J (x1) |

Side Tables

| | | | |
|------------------|------------------|------------------|------------------|
| | | | |
| K (x1) | L (x1) | M (x4) | N (x1) |

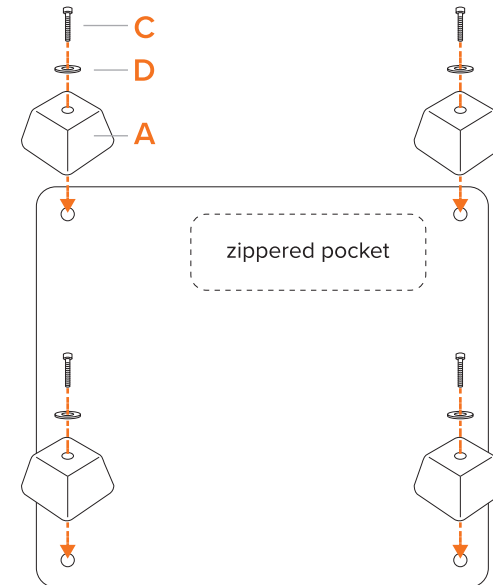
Melrose Armchair

Step 1

Assemble this product in an open space with room to move. Remove the packaging from the product. Set the headrests aside until Step 2. Underneath the seat base, there is a zippered pocket containing the sofa feet and the side tables. Set the side tables aside until Step 3.

Using the washer (C) and bolt (D), attach feet (A) to the four corners of the seat base.

| | | | |
|------------------|------------------|------------------|------------------|
| | | | |
| A (x4) | C (x4) | D (x4) | E (x1) |



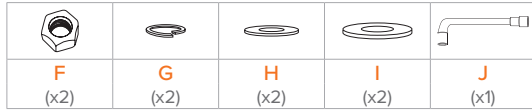
(continued next page)

ASSEMBLY INSTRUCTIONS

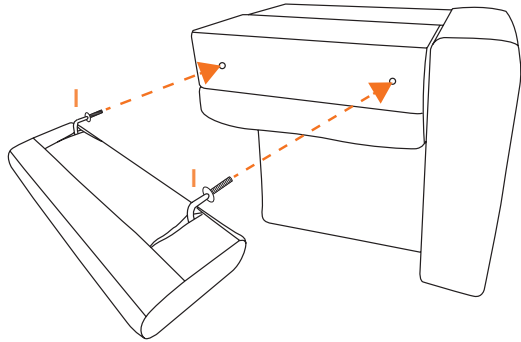
MELROSE LOUNGE SUITE

Step 2

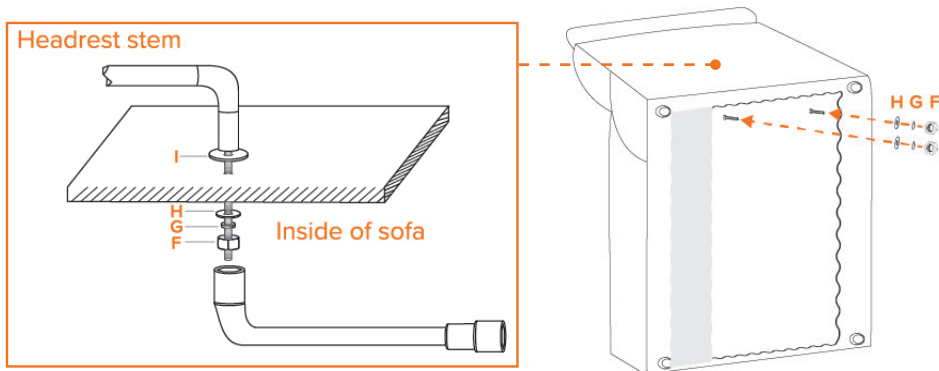
Prepare the headrests to be fixed to the backrests by first removing the hexagon nut (F), spring washer (G) and flat washer (H) - but leaving the arched washer (I) in place.



Carefully tilt each sofa piece forward (using two people where possible) and insert the headrest stems into the holes in the backrest frame per below diagram:

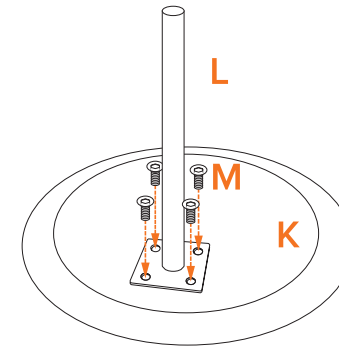
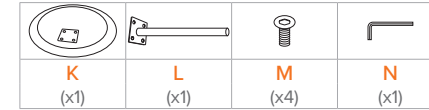


From the underside of the seat base via the zippered compartment, attach the flat washer (H), spring washer (G) and the hexagon nut (F) to the headrest stem and fix firmly using the socket wrench. Close the zipper compartment and return the sofa to an upright position.



Step 3

On a flat surface, turn the table top (K) upside down and place the table arm (L) into position. Use the allen key to fix the four bolts (M) firmly into place



The end seats of the lounge suite have side arm pockets for the side tables. Insert the table arm into the metal base at the bottom of the side pocket and press firmly into place.

