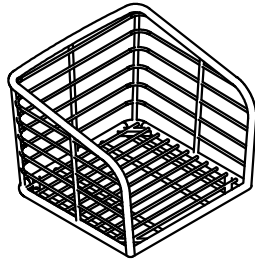
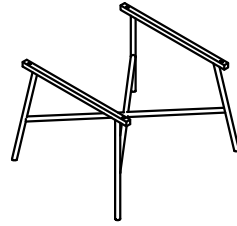


Assembly Instructions

PART LIST

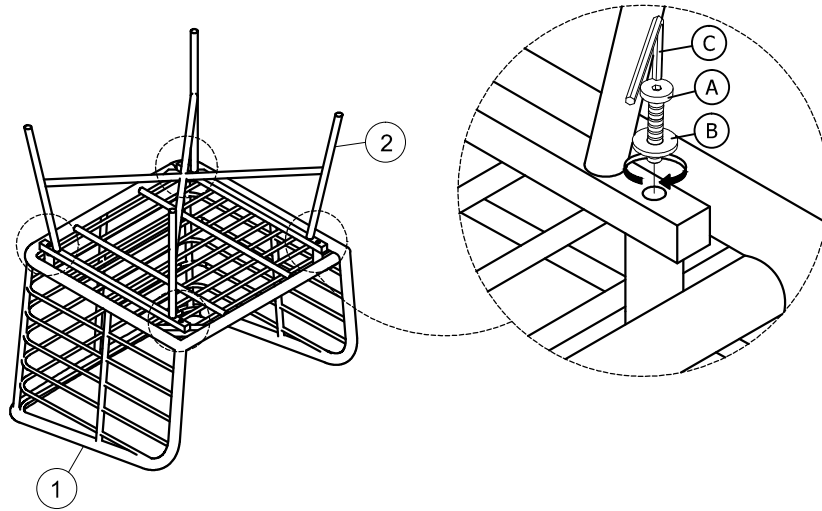


① = 1 pc



① = 1 pc

STEP 1



COMPLETED ASSEMBLY

HARDWARE LIST

| NO. | DESCRIPTION | SKETCH | Q.TY |
|-----|---------------------|--------|------|
| A | JCBC Screw M6x40mm | | 4 |
| B | Flat Washer M6x19mm | | 4 |
| C | Allen Wrench M4 | | 1 |