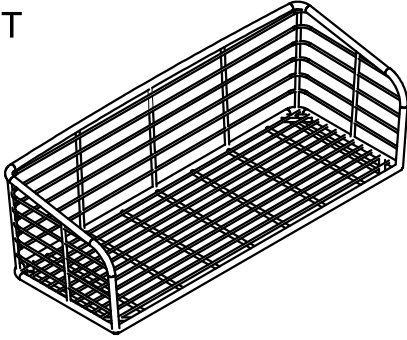
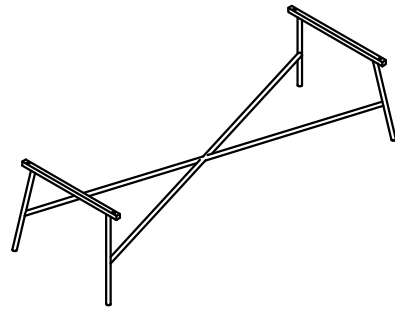


Assembly Instructions

PART LIST

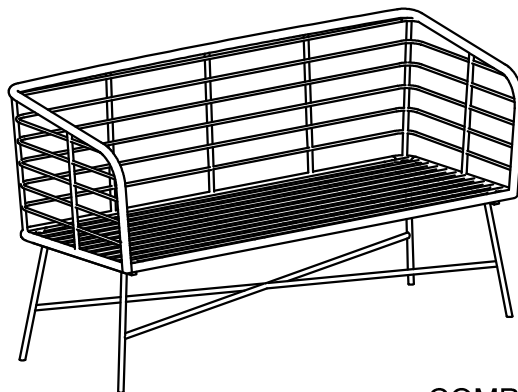
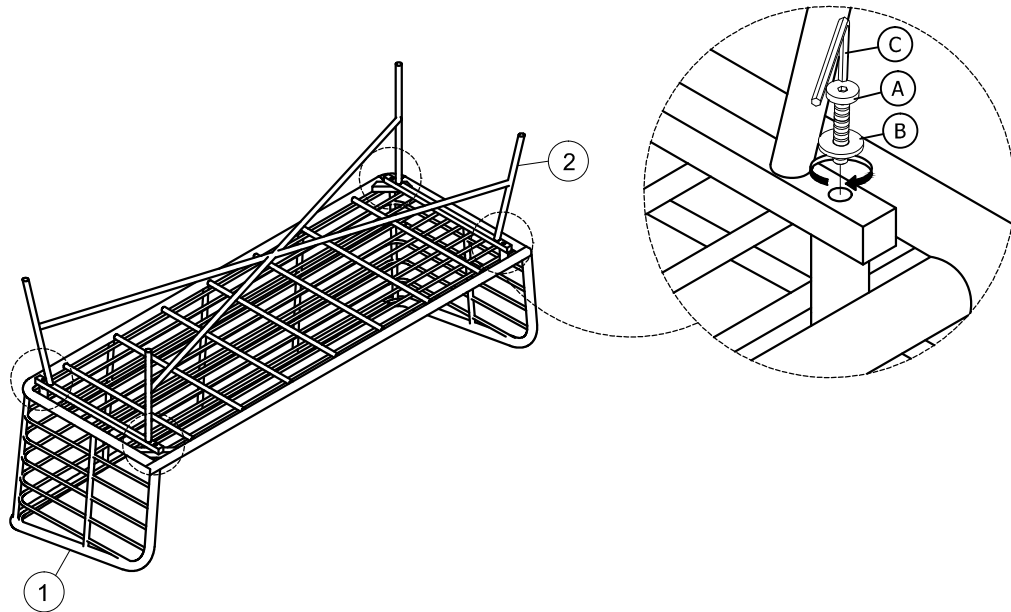


① = 1 pc



① = 1pc

STEP 1



COMPLETED ASSEMBLY

HARDWARE LIST

NO.	DESCRIPTION	SKETCH	Q.TY
A	JCBC Screw M6x40mm		4
B	Flat Washer M6x19mm		4
C	Allen Wrench M4		1